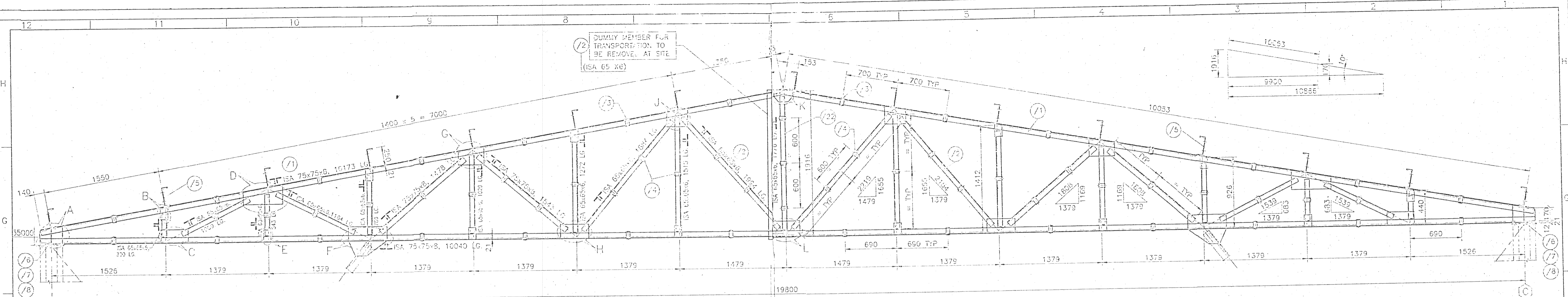


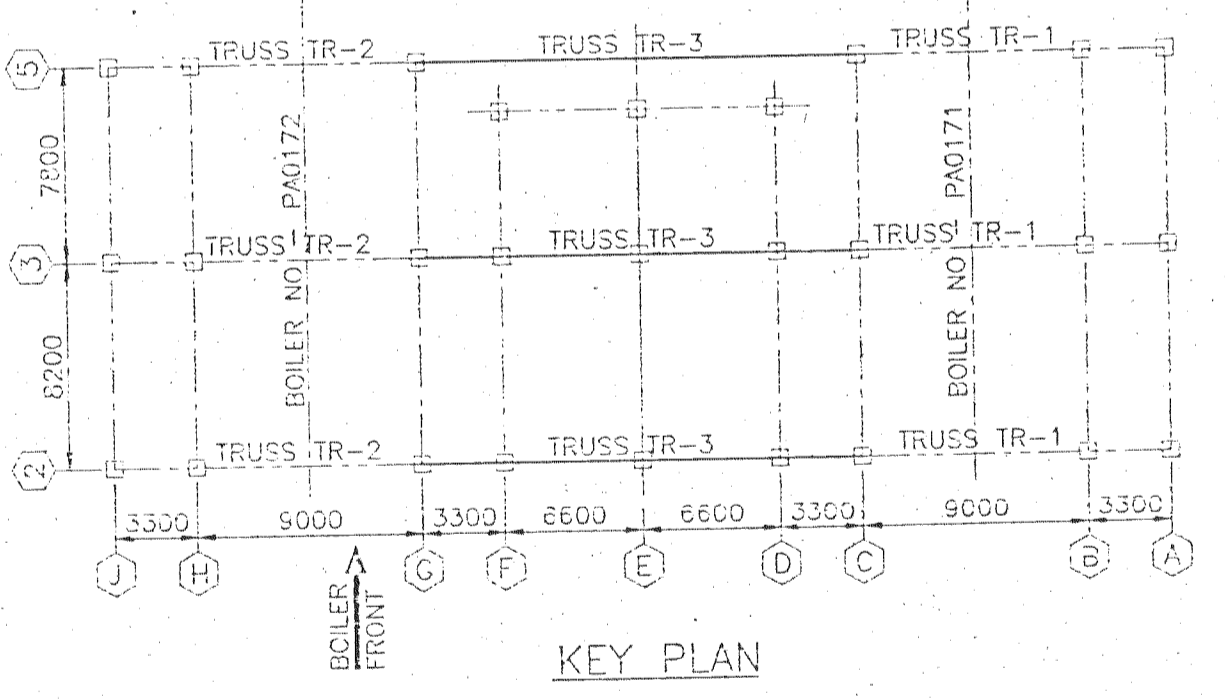
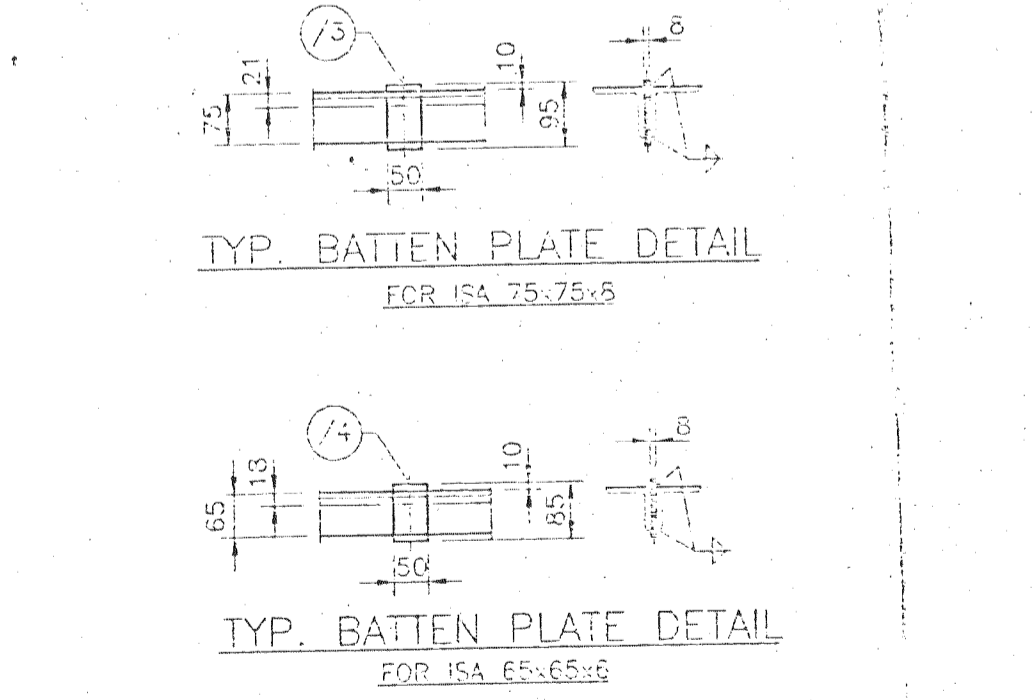
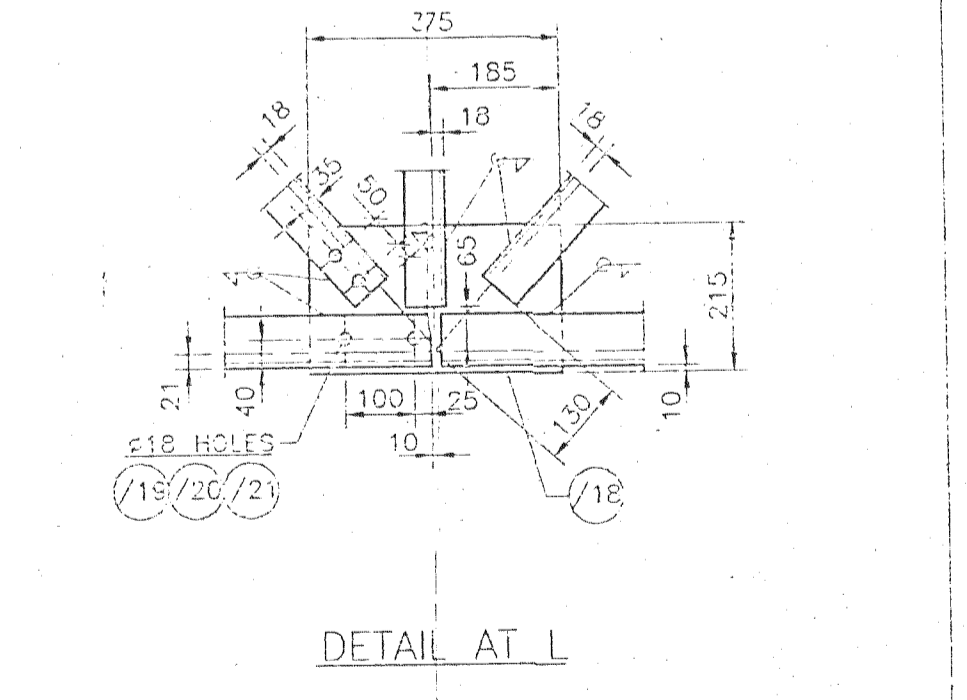
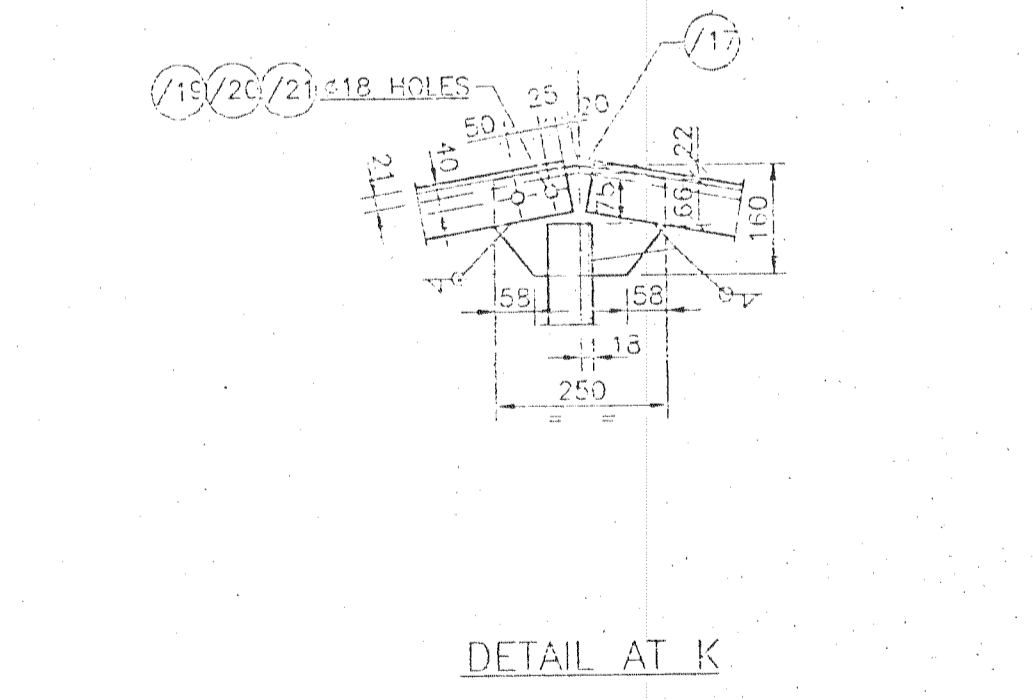
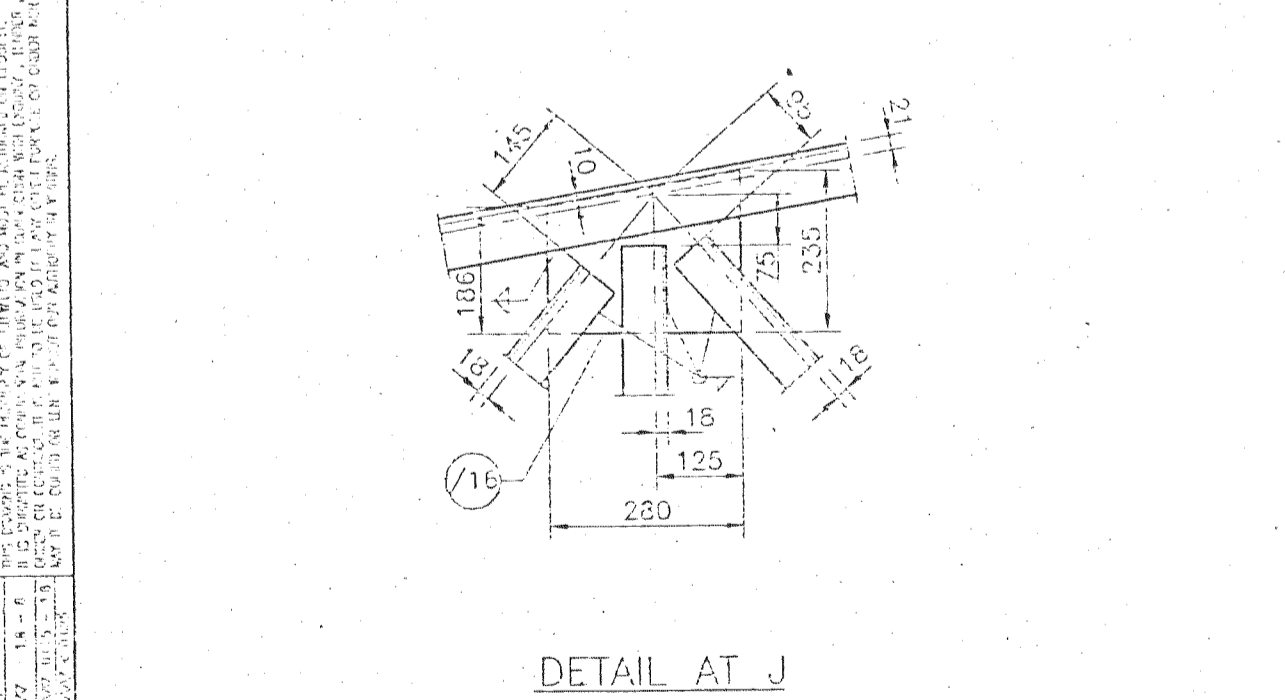
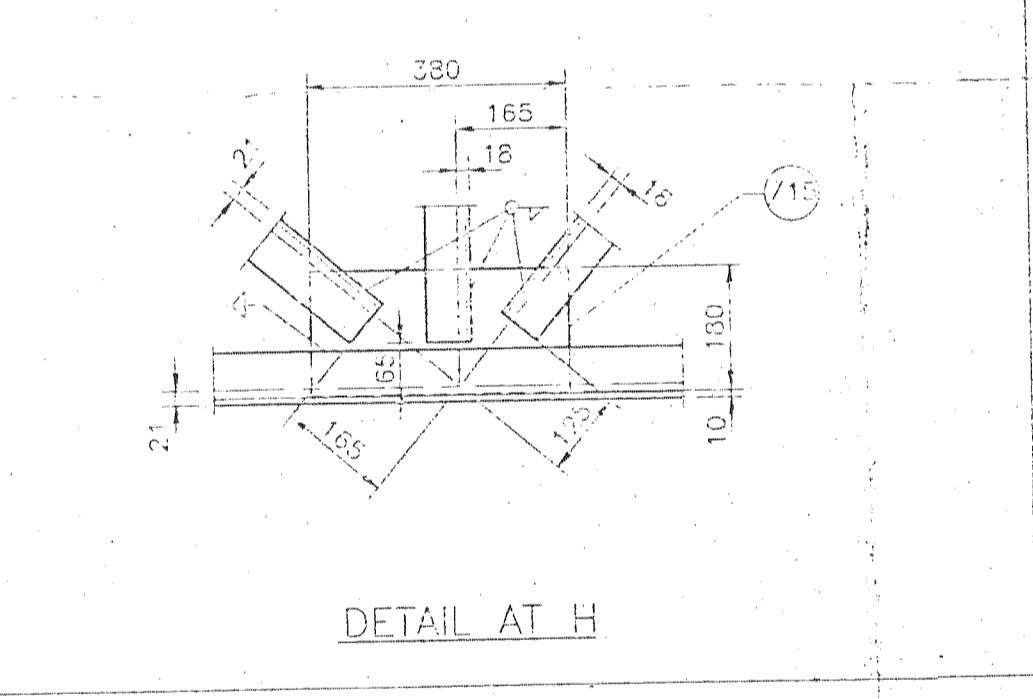
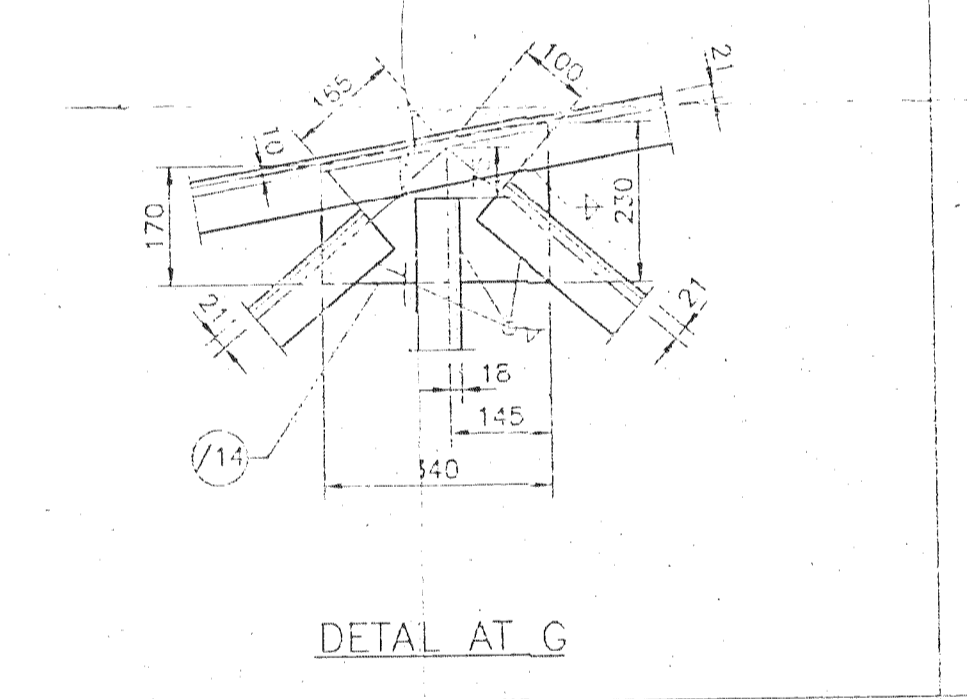
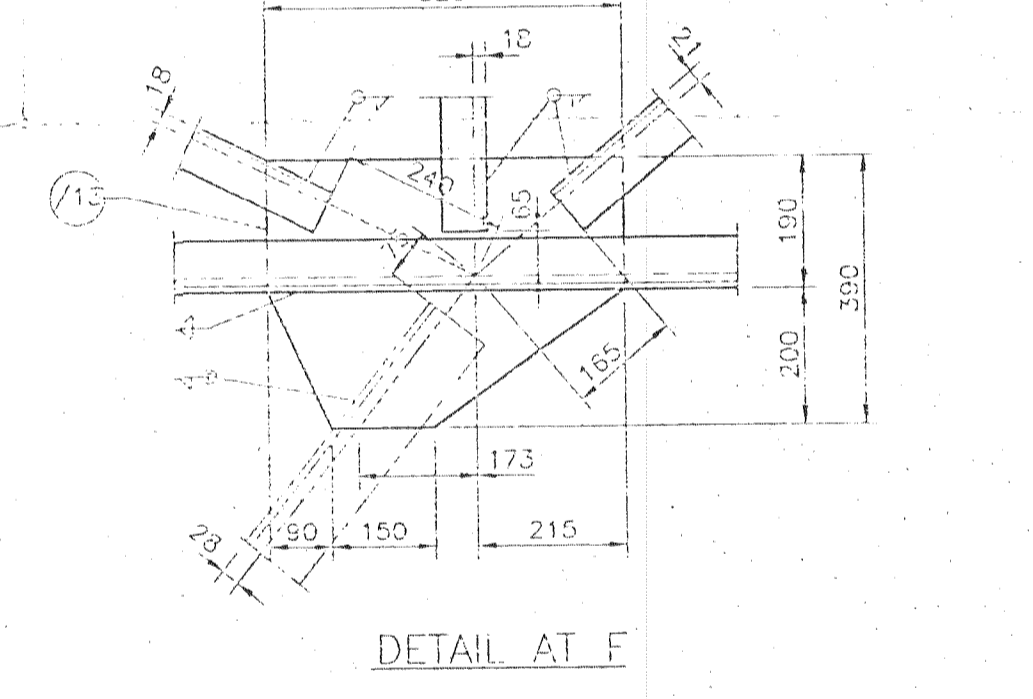
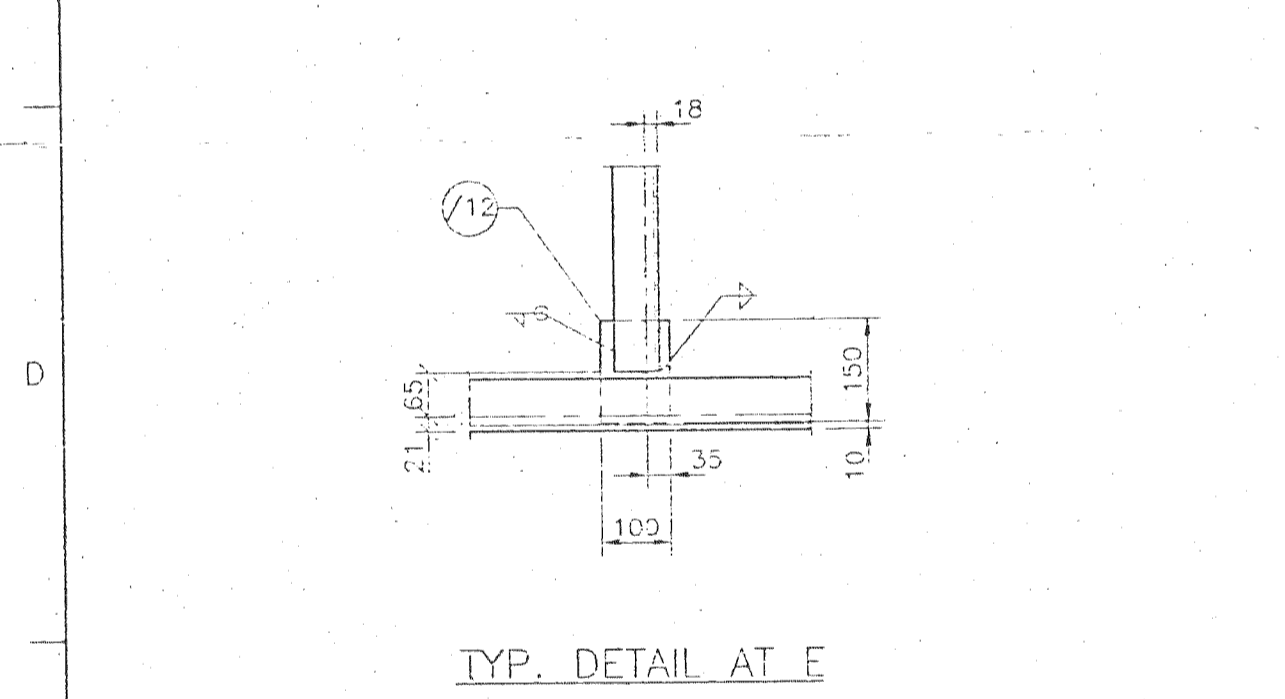
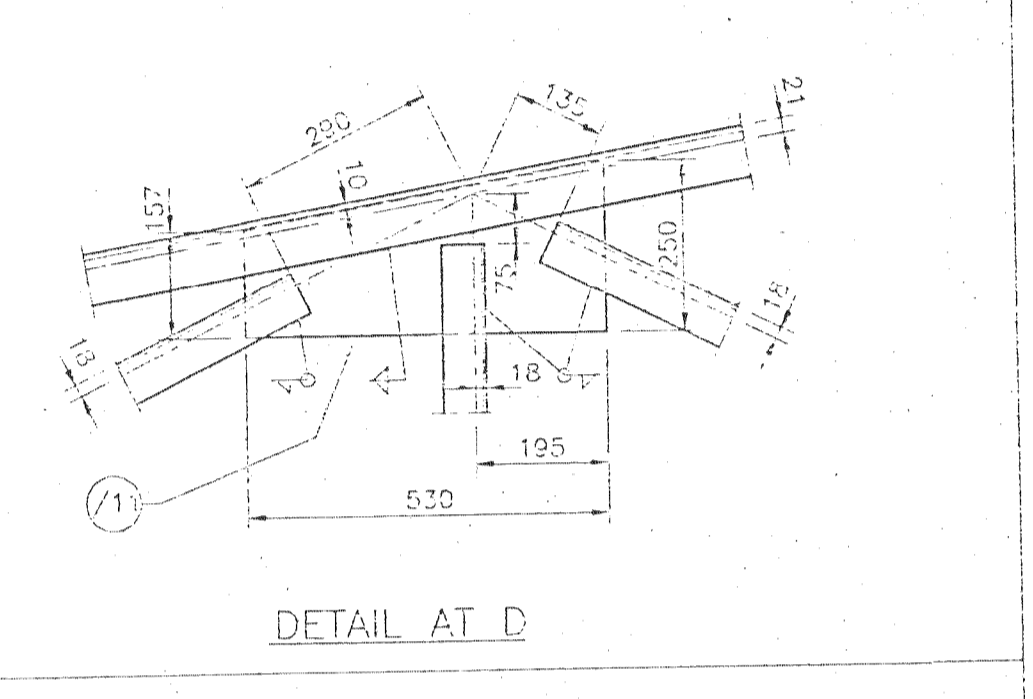
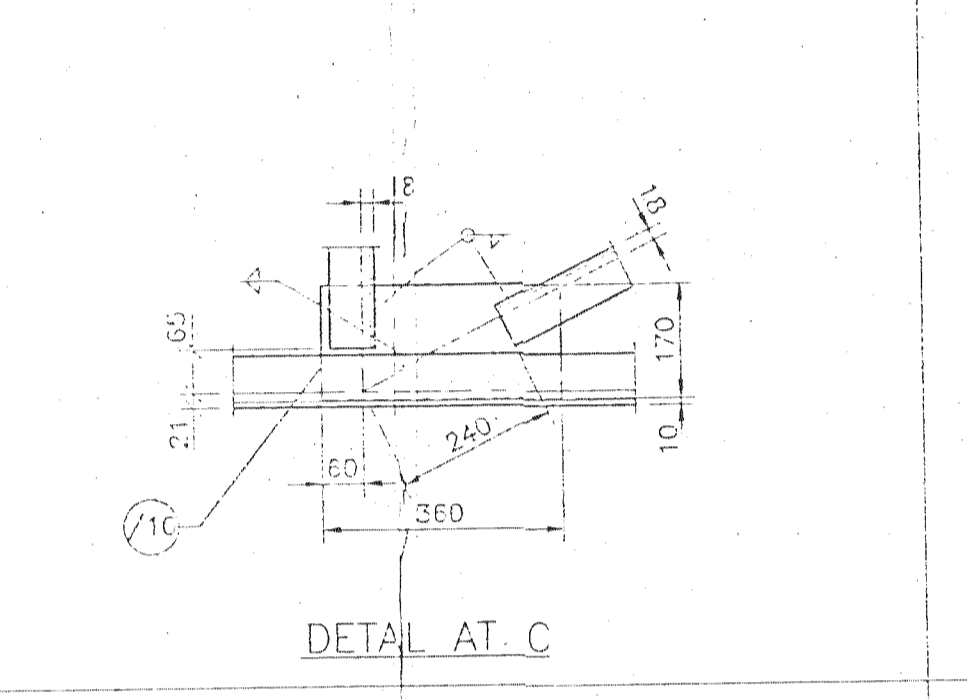
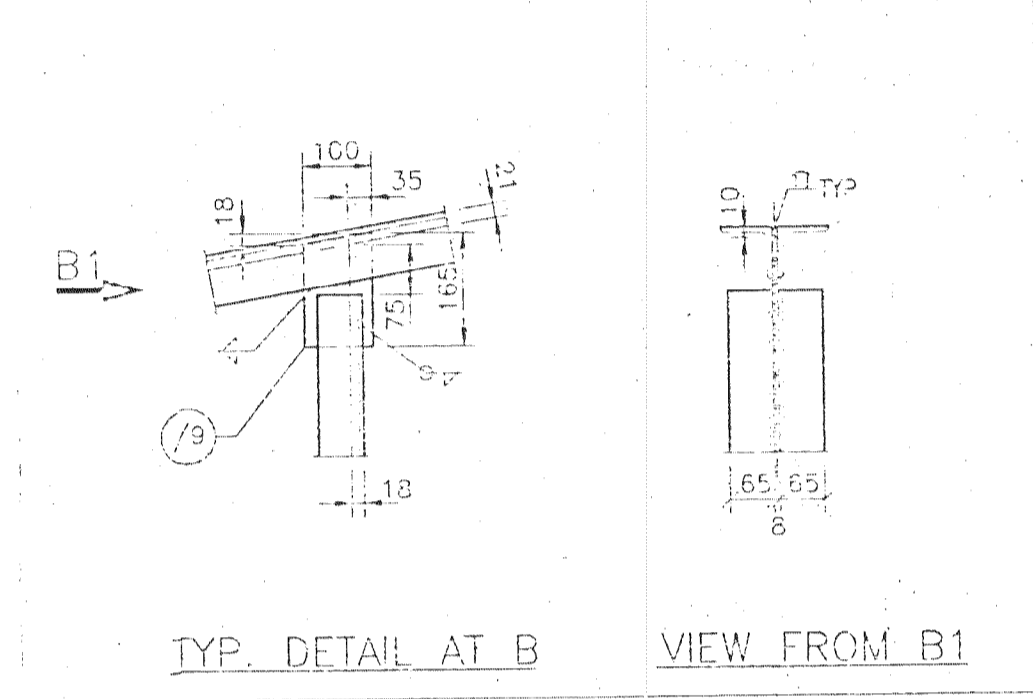
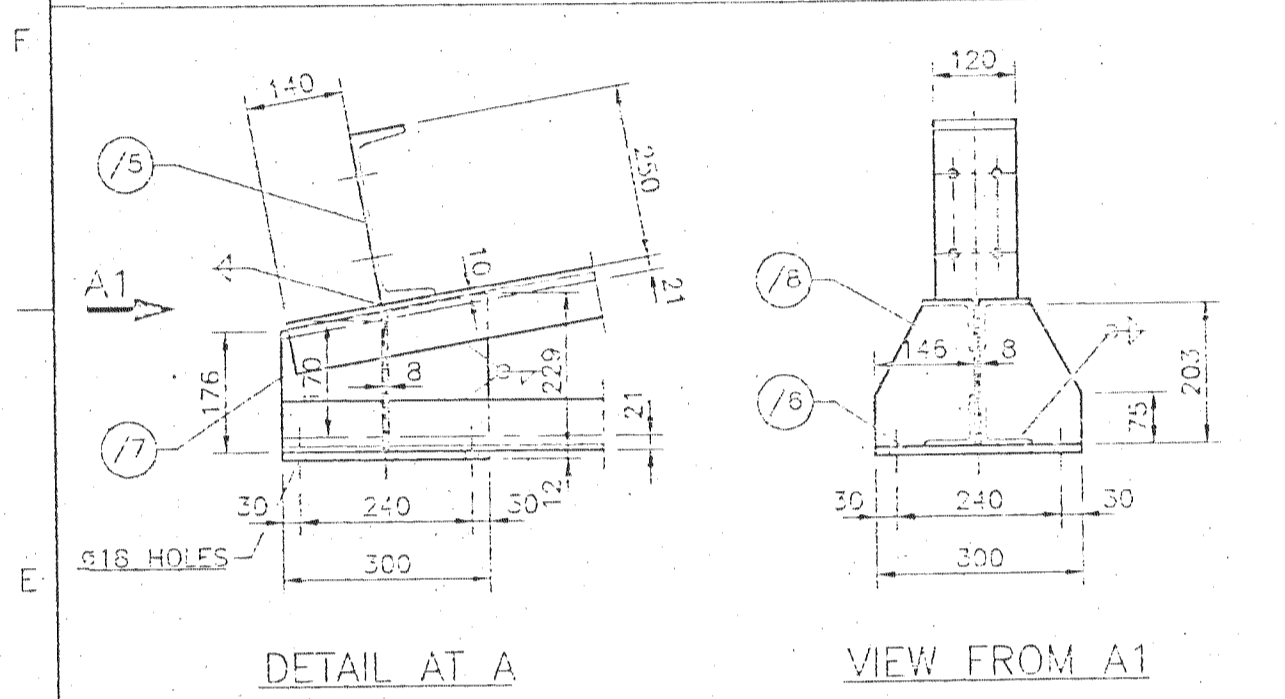
DO NOT SCALE
IF IN DOUBT, ASK



SR. NO. 1

VIEW FROM BOILER FRONT
TR-3, QTY- 3 NOS.

SR. NO. 2



NOTES :-
• ALL DIMENSIONS ARE IN MM UNLESS OTHERWISE SPECIFIED
• ALL CUTS SHOULD BE CUT AFTER FULL SCALE LAYOUT AT SHOP ONLY
• ALL GUSSET WELLS ARE 5 mm UNLESS OTHERWISE SPECIFIED
• ALL GUSSETS ARE 8 mm THK UNLESS OTHERWISE SPECIFIED
• PILED CONNECTIONS ARE GIVEN FOR TRANSPORTATION PURPOSE ONLY
• ALL CONNECTION HOLES TO BE FINISHED ALONG WITH ANGLE & GUSSET PLATE
• / indicates site weld
• FOR ARRANGEMENT OF BOILER CHECK REF. DRG. NO. SAG-02B-04420

THIS SYMBOL IN THE BLOCK INDICATES THAT THIS BLOCK IS PICKED FROM BLOCK LIBRARY.
REVISION IN CAD DRAWING SHOULD BE RELEASED ONLY AFTER CHECKING THAT IT IS INCORPORATED IN THE RELEASED CAD FILE. REVISION IS INVALID IF CAD CHK SIGN IN REV IS ABSENT

BOILER NO. PA0171 & PA0172

Thermax Babcock & Wilcox
Limited PUNE 411 034

SCALE	DRAWN	DA	35-6-2001
1:25	CHEKAL	10/10/2001	
1:10	APPROVED	10/10/2001	

DETAILS OF TRUSS TR-3
FOR BUNKER CANOPY

DRG. NO.	REV. NO.
SA1-1FB-15393	0

REV. NO.	REVISION	DATE	BY	CHK'D BY

THIS IS A CAD DRAWING. DO NOT TAKE REPRODUCIBLE